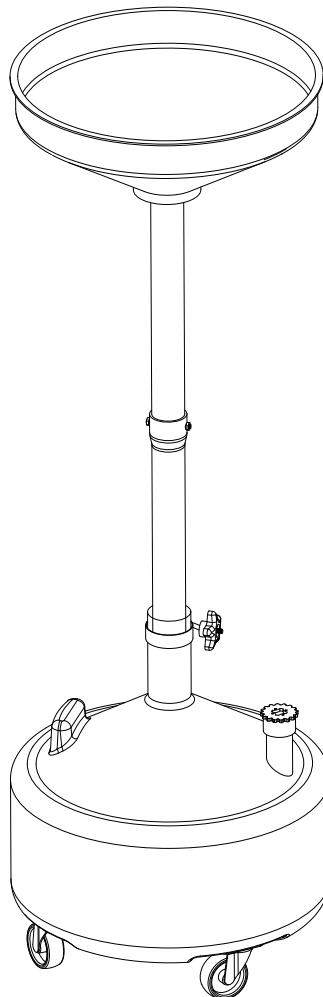


OMEGALIFT™ EQUIPMENT

8 GALLON OIL DRAIN

MODELS
89001

CAPACITY
8 Gal.



This is the safety alert symbol. It is used to alert you to potential personal injury hazards. Obey all safety messages that follow this symbol to avoid possible injury or death.

SFA Companies

Read this manual and follow all the Safety Rules and Operating Instructions before using this product.

SAFETY AND GENERAL INFORMATION

Save these instructions. For your safety, read, understand, and follow the information provided with and on this device before using. The owner and/or operator shall have an understanding of the device, its operating characteristics and safety operating instructions before operating the equipment. The owner and/or operator shall be aware that use and repair of this product may require special skills and knowledge. Instructions and safety information shall be read to and discussed with the operator in the operator's native language, making sure that the operator comprehends their contents, before use of this equipment is authorized. If any doubt exists as to the safe and proper use of this device, remove from service immediately.

Inspect before each use. Do not use if abnormal conditions such as cracked welds, damaged, loose or missing parts are noted. Any equipment that appears damaged in any way, is found to be worn, or operates abnormally shall be removed from service until repaired. If the equipment has been or is suspected to have been subjected to an abnormal load or shock, immediately discontinue use until inspected by a factory authorized repair facility (contact distributor or manufacturer for list of authorized repair facilities). It is recommended that an annual inspection be made by an authorized repair facility. Labels and Operator's Manuals are available from the manufacturer.

Product Description

This is an 8 Gallon Oil Drain designed to be used by one operator for the draining and storage of vehicle fluids. This product is not intended to be used with gasoline or diesel fuel.

Specifications

Funnel Dia.	Capacity	Product Height	Shipping Weight
16.7" (42.5 cm)	8 Gal. (30 L)	30" - 63" (76 cm - 160 cm)	12.4 lbs (5.6 kg)

Operating Instructions

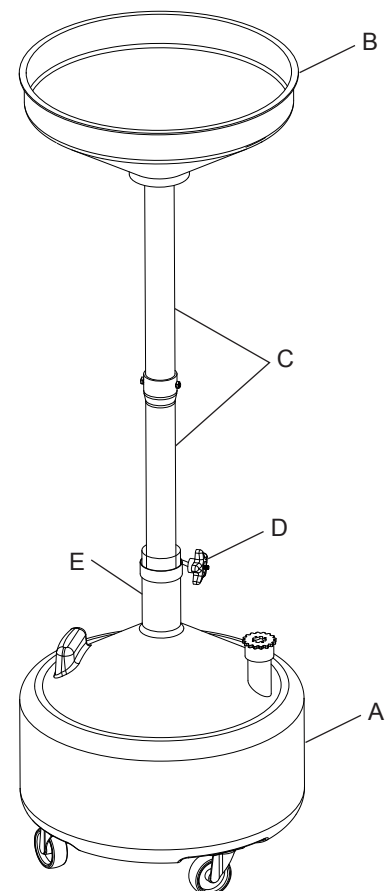
1. Ensure the tank (A) is empty or has enough empty volume to contain the fluid that is being drained.
2. Adjust funnel (B) height to desired setting.
3. Begin fluid drain.

Assembly Instructions

1. Remove all contents from the package.
2. Assemble two-piece tube (C) using the provided bolt, nut and washer.
3. Insert the funnel (B) into the tube (C) using the Philips screws to secure.
4. Install clamp (D) on to tank neck (E).
5. Insert tube (C) and funnel (B) assembly into tank (A), tighten clamp (D) at desired height.

Assembly Reference

Ref	Description
A	Tank
B	Funnel
C	Tube
D	Clamp
E	Tank Neck



⚠ WARNING

Operating Hazards

- ALWAYS MAINTAIN A CLEAN WORK AREA. KEEP VISITORS AND ESPECIALLY CHILDREN AWAY FROM WORK AREA.
- THIS OIL DRAIN IS TO BE OPERATED BY PROPERLY TRAINED PERSONNEL ONLY.
- OPERATION BY UNTRAINED PERSONNEL MAY RESULT IN INJURY AND /OR PROPERTY DAMAGE.
- DO NOT EXCEED RATED CAPACITY.
- OVERLOADING CAN CAUSE DAMAGE TO OR FAILURE OF THE OIL DRAIN.
- KEEP HANDS AND BODY CLEAR OF ALL PINCH POINTS.
- THIS OIL DRAIN IS DESIGNED FOR USE ONLY ON HARD LEVEL SURFACES CAPABLE OF SUSTAINING THE LOAD. USE ON OTHER THAN HARD LEVEL SURFACES CAN RESULT IN INSTABILITY AND POSSIBLE LOSS OF LOAD.
- NO ALTERATIONS TO THE OIL DRAIN SHALL BE MADE.
- READ, STUDY AND UNDERSTAND THE OPERATING MANUAL PACKED WITH THIS EQUIPMENT BEFORE OPERATING.
- FAILURE TO HEED THESE WARNINGS MAY RESULT IN LOSS OF LOAD, DAMAGE , AND/OR FAILURE RESULTING IN PROPERTY DAMAGE, PERSONAL OR FATAL INJURY.
- DISPOSE OF USED OIL AND OTHER AUTOMOTIVE FLUIDS IN COMPLIANCE WITH LOCAL, STATE AND FEDERAL ENVIRONMENTAL LAWS AND REGULATIONS.

Workplace Hazards

- Slips, trips and major causes of workplace injury. Be aware of slippery surfaces caused by the use of the tool and also of trip hazards.
- Proceed with care in unfamiliar surroundings. Hidden hazards, such as electricity or other utility lines, can exist.

Alterations

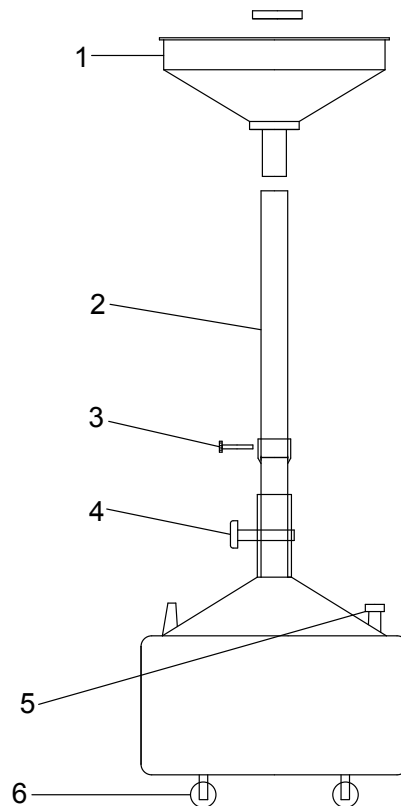
- Because of potential hazards associated with this type of equipment, no alterations shall be made to the product.

REPLACEMENT PARTS

Not all components of the jack are replacement items, but are illustrated as a convenient reference of location and position in the assembly sequence. When ordering parts, please give the Model number, part number and parts description. Call or write for current pricing: SFA Companies 10939 N. Pomona Ave. Kansas City, MO 64153, U.S.A. E-Mail: sales@omegalift.com Tel: (888) 332-6419 Fax: (816) 891-6599 Omega Website: <http://www.omegalift.com>

Replacement Parts

Ref	Item No.	Description
1	89001-1	Funnel
2	89001-2	Tube
3	89001-3	Bolt
4	89001-4	Clamp
5	89001-5	Cap
6	89001-6	Wheel



ONE YEAR LIMITED WARRANTY

For a period of one (1) year from date of purchase, **SFA COMPANIES, INC.** will repair or replace, at its option, without charge, any of its products which fails due to a defect in material or workmanship under normal usage. This limited warranty is a consumer's exclusive remedy.

Performance of any obligation under this warranty may be obtained by returning the warranted product, freight prepaid, to **SFA COMPANIES, INC.** Warranty Service Department, 10939 N. Pomona Ave., Kansas City, MO 64153.

Except where such limitations and exclusions are specifically prohibited by applicable law, (1) THE CONSUMER'S SOLE AND EXCLUSIVE REMEDY SHALL BE THE REPAIR OR REPLACEMENT OF DEFECTIVE PRODUCTS AS DESCRIBED ABOVE. (2) **SFA COMPANIES, INC.** SHALL NOT BE LIABLE FOR ANY CONSEQUENTIAL OR INCIDENTAL DAMAGE OR LOSS WHATSOEVER. (3) ANY IMPLIED WARRANTIES, INCLUDING WITHOUT LIMITATION THE IMPLIED WARRANTIES OF MERCHANTABILITY AND FITNESS FOR A PARTICULAR PURPOSE, SHALL BE LIMITED TO ONE YEAR, OTHERWISE THE REPAIR, REPLACEMENT OR REFUND AS PROVIDED UNDER THIS EXPRESS LIMITED WARRANTY IS THE EXCLUSIVE REMEDY OF THE CONSUMER, AND IS PROVIDED IN LIEU OF ALL OTHER WARRANTIES, EXPRESS OR IMPLIED. (4) ANY MODIFICATION, ALTERATION, ABUSE, UNAUTHORIZED SERVICE OR ORNAMENTAL DESIGN VOIDS THIS WARRANTY AND IS NOT COVERED BY THIS WARRANTY.

Some states do not allow limitations on how long an implied warranty lasts, so the above limitation may not apply to you. Some states do not allow the exclusion or limitation of incidental or consequential damages, so the above limitation or exclusion may not apply to you. This warranty gives you specific legal rights, and you may also have other rights, which vary from state to state.